

# Diabolical Inc Bronco Locker Installation Instructions:

## Bronco 6G 2 Door 2021+

### Overview

This installation can be accomplished by one person with basic tools and limited mechanical experience.

### Required Tools:

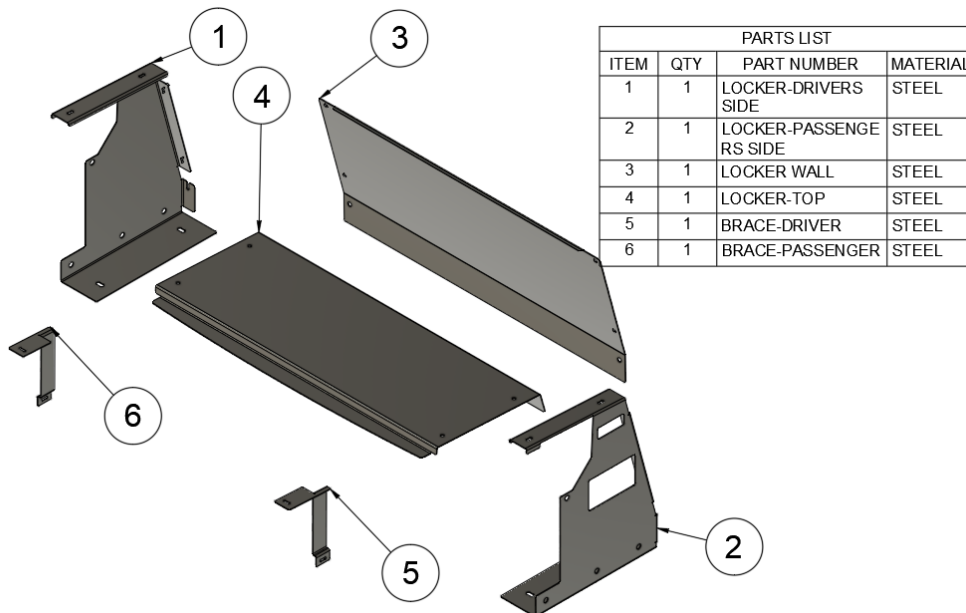
Tool	Size	Alternate Tools	Size
Sockets (SAE) 3/8" Drive	7/16	Open/Box End Wrench	7/16
Ratchet	3/8" Drive		
Extension	3/8" Drive 6"		
Torx Key Bits/Drivers	T-30, T-40		

### Preparation:

pop the 4 d-ring covers off, careful to pull them out at angle vs straight up. They have small tabs that can break. And fold the seats down. Not all the way forward.

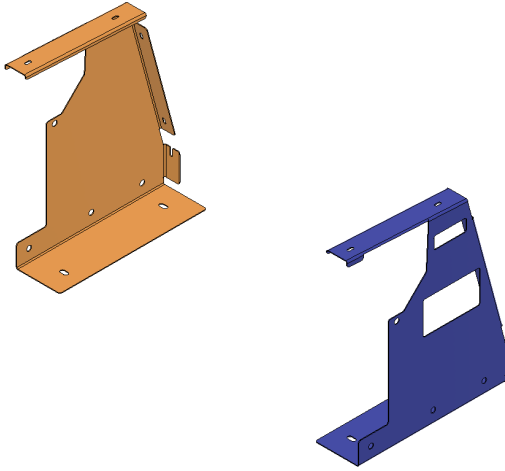
remove all bolts and d-rings. They will be covers by the side walls

### Parts List:

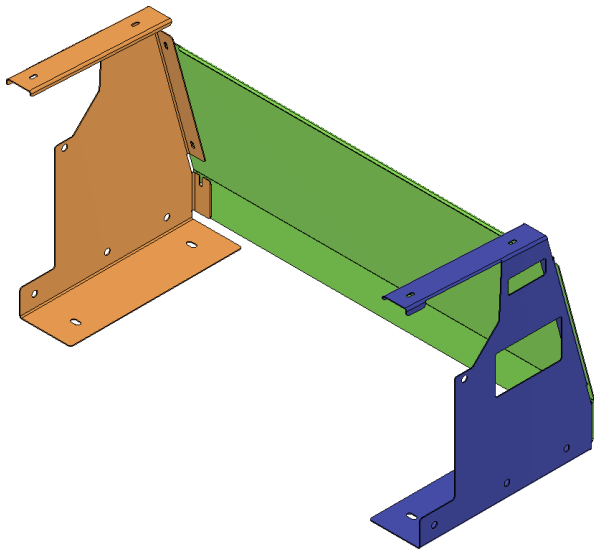


## Installation:

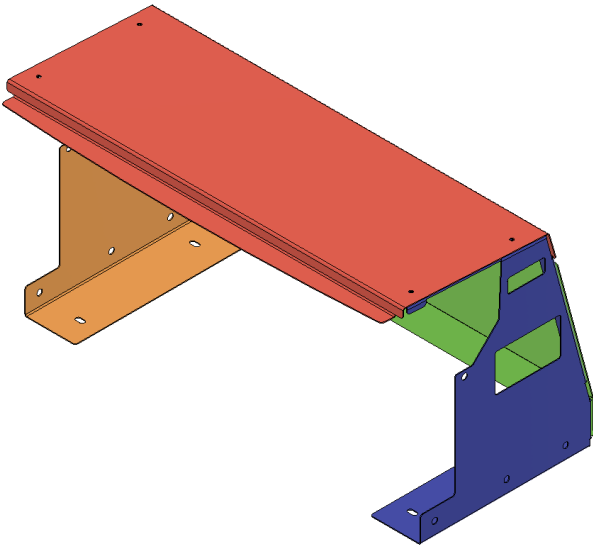
Set the left and right side walls in place. Attach with our longer bolts and washers. 1 bolt in each d-ring location. Leave a little loose for now.



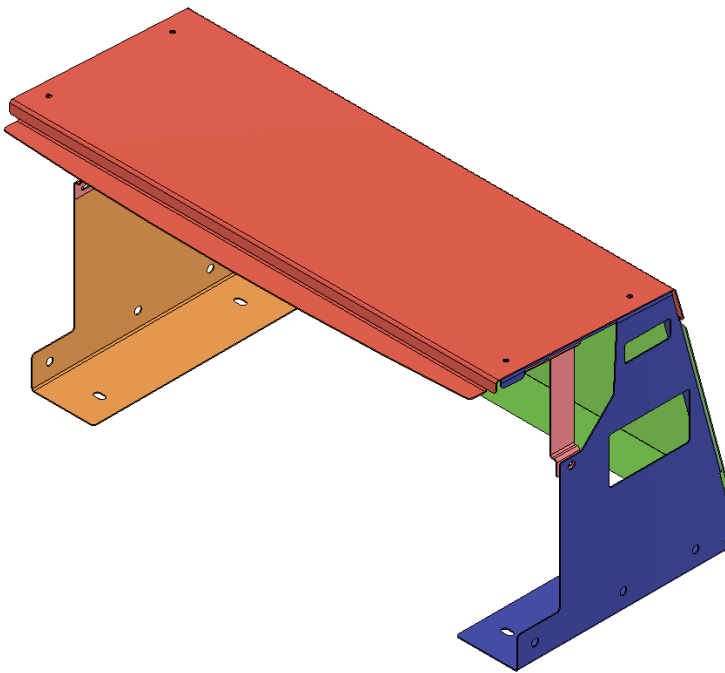
Lift the Center wall panel in and into place with the PEM Studs into each hole and slot. Add the large washers and Spin knobs. Keep a little loose till end.



Set the top panel into place and add the washers and Spin knobs.



There are 2 brackets that attach to the side walls either the small 1/4-20 screws. The top of the brackets line up under the top of the side walls and match the slotted holes for the top. You can add these or not. They add a little extra structure.



Once all 4 panels are in place, tighten everything down